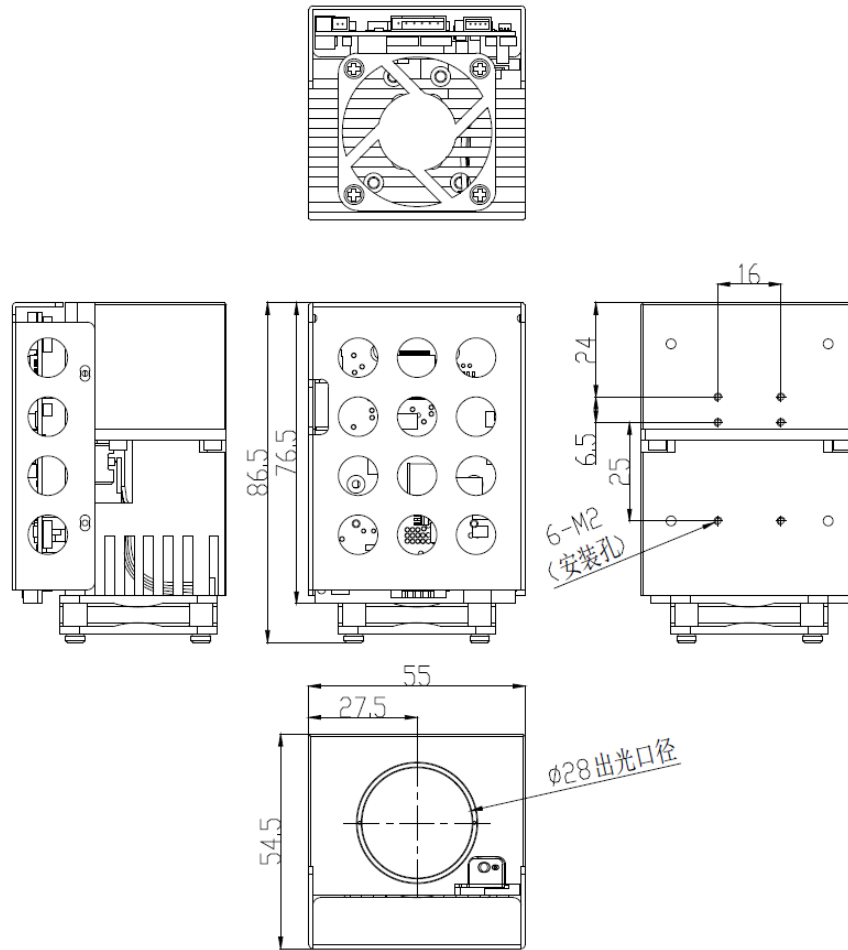


 3KM OPTOELECTRONICS	Product Specification	Version
		V1.0
Product Type	Visible Light Laser Lighting Module	
Product Name	VLW-LD-500	
Product Number	K10120002	
Product Size	L*W*H=86.5×55×54.5mm	
Application Range: Safe city, large-scale factory, intelligent transportation, on-board system, airport port, oil depot, security department, prison, water conservancy and electric power, energy mining, ecological protection, administrative law enforcement, fishery and sea surveillance, border defense and other night vision monitoring fill light.		
Statement: This specification is copyrighted by Shenzhen 3KM Optoelectronics Technology Co., Ltd., and may not be distributed to employees who are 3KM away without the written approval of the 3KM. It may not be used, copied or modified in whole or in part, and may not be disclosed in any way. 3KM reserve the right to update the technical parameters of the product to ensure that the latest and best products are provided to the customer.		
3KM Optoelectronics Technology Co., Ltd.		File Type: Specification
Prepared	Lgl	Sep 29, 2022
Review	Lzhj	Sep30, 2022
Approve	wym	Sep30, 2022

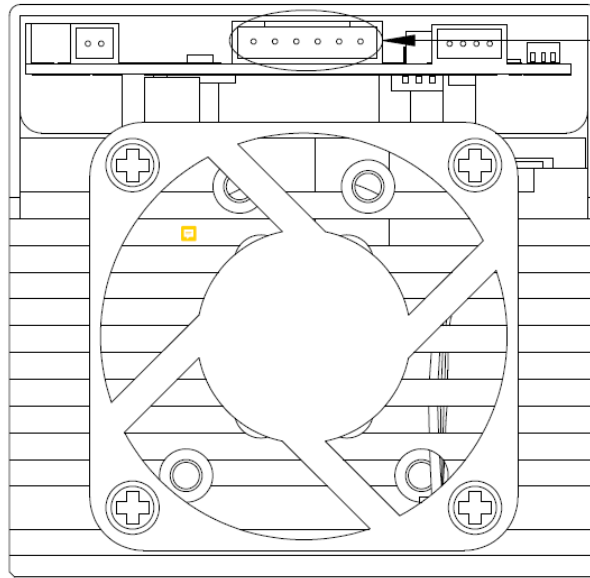
Optical and Electrical Parameters	
Item	Parameters
Model	VLW-LD-500
Size	L*W*H=86.5×55×54.5mm
Weight	≈350g
Input Voltage	DC 12V±10%
Input Current	1.2A±0.2A
Initialization Time	<3s
Consumed Power	≤18W
Chip Power	10.0W
Output color temperature	4200K±200K
Lighting Angle	1.6°~11°(Continuous zoom)
Brightness	≥230Lm
Maximum illumination/distance	260Lux (@100m)、135Lux (@200m)、70Lux (@300m)、30Lux (@400m)
Longest Lighting Distance	≥500m
Communication Interface	RS-485/UART portTTL(Default: 9600bps)
Communication Protocol	Pelco_D
Operating Mode	Continuous Working Mode
Operating Life	> 10000H
Storage Temperature	-50°C~+100°C
Operating Temperature	-35°C~+70°C
Environmental Standards	ROHS 2.0

Product Size



unit: mm

Pin Definition



从左往右	
1	12V
2	GND
3	TX
4	RX
5	485B
6	485A

Precautions

- 1.This product belongs to Class IV invisible laser. When the laser light is on, it is strictly forbidden to use the eye to look back or use optical instruments to observe the laser beam.
- 2.Under normal use, it is forbidden to block flammable objects within 50cm in front of the lens to prevent fire.
- 3.During the use of this product, the product should be installed in a position that cannot be directly viewed by the human eye, or have a sufficient distance (>50m) from the position of the human eye. The manufacturer should flexibly select the radiation of the laser according to the monitored scene. Power to prevent damage to the human eye caused by the product.
- 4.When using the products of our company, the manufacturer should put a laser radiation warning label on the outside of the product.
- 5.If the manufacturer finds that the device is faulty during use, please send the product back to our company for repair. Do not disassemble it. After disassembly, no warranty will be made.

Contact Information

Company Name: 3KM Optoelectronics Technology Co., Ltd.
Business Phone: +86-0755-6686 4401
Company website: www.sz3km.cn
Email: sales@sz3km.com
Address: 12F, Building 1, Heng Changrong Hi-Tech Park, No. 128 Shangnan East Road, Xinqiao Street, Baoan District, Shenzhen, P.R.C