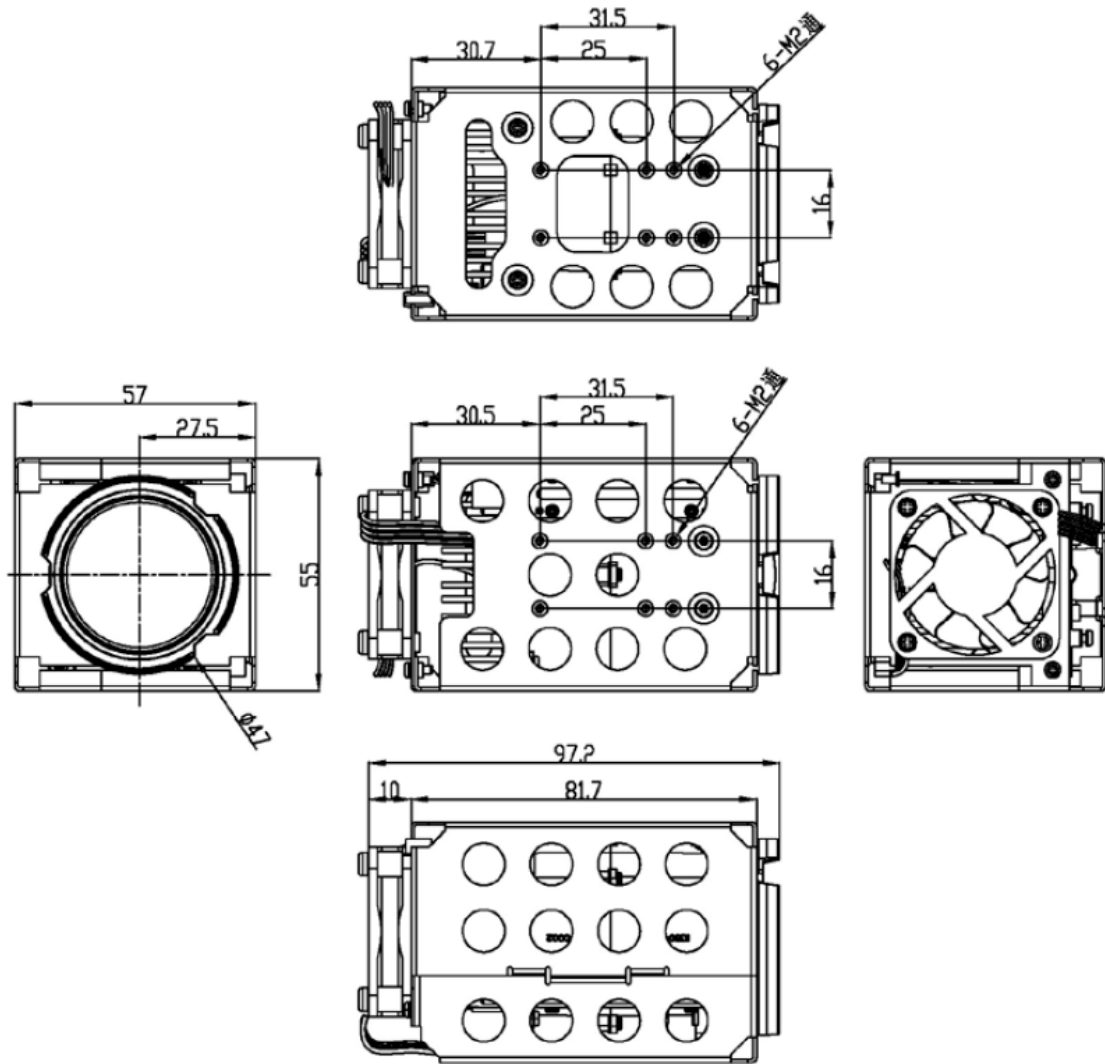


 3KM OPTOELECTRONICS	Product Specification	Version
		V1.0
Product Type	Infrared Laser Lighting Module	
Product Name	IR-850-800-VPCE	
Product Number	K10010045	
Product Size	L*W*H=100*55*57mm	
Application Range: Safe city, large-scale factory, intelligent transportation, on-board system, airport port, oil depot, security department, prison, water conservancy and electric power, energy mining, ecological protection, administrative law enforcement, fishery and sea surveillance, border defense and other night vision monitoring fill light.		
Statement: This specification is copyrighted by Shenzhen 3KM Optoelectronics Technology Co., Ltd., and may not be distributed to employees who are 3KM away without the written approval of the 3KM. It may not be used, copied or modified in whole or in part, and may not be disclosed in any way. 3KM reserve the right to update the technical parameters of the product to ensure that the latest and best products are provided to the customer.		
3KM Optoelectronics Technology Co., Ltd.		File Type: Specification
Prepared	Lgl	Sep 29, 2018
Review	Lzhj	Sep30, 2018
Approve	wym	Sep30, 2018

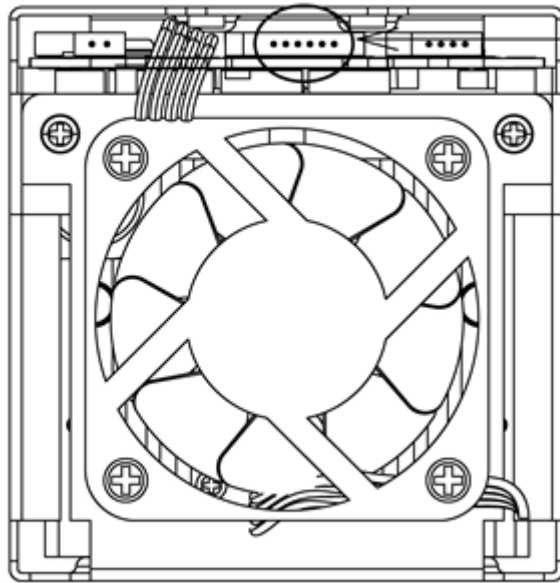
Optical and Electrical Parameters	
Item	Parameters
Size	L*W*H: 100*55*57mm
Weight	≈ 230g
Input Voltage	DC 12V±10%
Input Current	1.4A±0.3A
Initialization Time	<10s
Consumed Power	≤20W
Output Optical Power (P _o)	4.0±0.3W
Center Laser Wavelength	850±10nm(@25°C)
Lighting Angle	2°~70°(Continuous zoom)
Spot Diameter	φ28m(@2°, @500m)
Longest Lighting Distance	≥800m
Communication Interface	RS-485/UART portTTL(Default: 9600bps)
Communication Protocol	Pelco_D
Operating Mode	Continuous Working Mode
Operating Life	> 20000H
Storage Temperature	-40°C ~ +80°C
Operating Temperature	-35°C ~ +70°C
Laser Safety Level	Class IIIB(IEC 60825)
Laser Safety Distance	≥15.0m(@2°, @P _o max)
Environmental Standards	ROHS 2.0

Product Size



unit: mm

Pin Definition



From Left To Right	
1	485B
2	485A
3	DC12V
4	GND
5	TX
6	RX

Connector Type: 6pin -PH1.25

Precautions

- 1.This product belongs to Class 3B invisible laser. When the laser light is on, it is strictly forbidden to use the eye to look back or use optical instruments to observe the laser beam.
- 2.Under normal use, it is forbidden to block flammable objects within 100cm in front of the lens to prevent fire.
- 3.During the use of this product, the product should be installed in a position that cannot be directly viewed by the human eye, or have a sufficient distance (>15.0m) from the position of the human eye. The manufacturer should flexibly select the radiation of the laser according to the monitored scene. Power to prevent damage to the human eye caused by the product.
- 4.When using the products of our company, the manufacturer should put a laser radiation warning label on the outside of the product.
- 5.If the manufacturer finds that the device is faulty during use, please send the product back to our company for repair. Do not disassemble it. After disassembly, no warranty will be made.

Contact Information

Company Name: 3KM Optoelectronics Technology Co., Ltd.
Business Phone: +86-0755-6686 4401
Company website: www.sz3km.cn
Email: sales@sz3km.com
Address: 12F, Building 1, Heng Changrong Hi-Tech Park, No. 128 Shangnan East Road, Xinqiao Street, Baoan District, Shenzhen, P.R.C