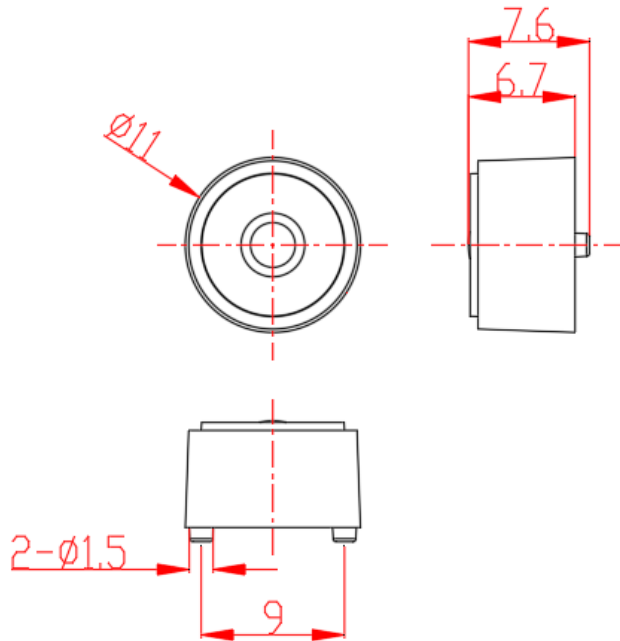


	<b>Product Specification</b>	<b>Version</b>
		<b>V1.0</b>
<b>Product Type</b>	<b>Infrared Laser Fixed Focus Lens</b>	
<b>Product Name</b>	<b>IR-850-1W-D08</b>	
<b>Product Number</b>	<b>R10030002</b>	
<b>Product Size</b>	<b>D*H=Φ11*7.6mm</b>	
<b>Application Range:</b> Safe city, large-scale factory, intelligent transportation, on-board system, airport port, oil depot, security department, prison, water conservancy and electric power, energy mining, ecological protection, administrative law enforcement, fishery and sea surveillance, border defense and other night vision monitoring fill light.		
<b>Statement:</b> This specification is copyrighted by 3KM Optoelectronics Technology Co., Ltd. and may not be distributed to employees who are 3KM away without the written approval of the 3KM. It may not be used, copied or modified in whole or in part, and may not be disclosed in any way. 3KM reserve the right to update the technical parameters of the product to ensure that the latest and best products are provided to the customer.		
<b>3KM Optoelectronics Technology Co., Ltd.</b>		File Type: Specification
<b>Prepared</b>	LGN	Sep 29, 2019
<b>Review</b>	LZHJ	Sep30, 2019
<b>Approve</b>	WYM	Sep30, 2019

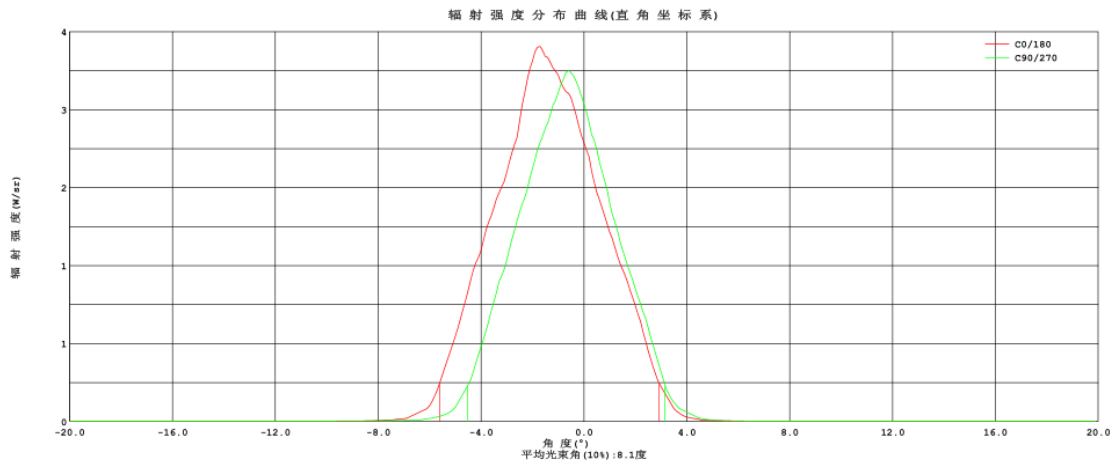
Parameters	
Item	Parameters
Size	D*H: 11mm*7.6mm
Applicable Wavelength Range	800nm~980nm
Illumination Angle	8°(@ 1/e <sup>2</sup> )
Material	Polycarb
Applicable LightSource	IR-850-1W-3838 (3KM VCSEL)
Storage Temperature	-50°C~+100°C
Operating Temperature	-40°C~+85°C
Environmental Standards	(EU)2015/863

Product Size



unit: mm

Optical Angle



Contact Information

Company Name:	3KM Optoelectronics Technology Co., Ltd.
Business Phone:	+86-0755-6686 4401
Company website:	www.sz3km.cn
Email:	sales@sz3km.com
Address:	12F, Building 1, Heng Changrong Hi-Tech Park, No. 128 Shangnan East Road, Xinqiao Street, Baoan District, Shenzhen, P.R.C